

Discrete DC Coupled Audio Buffer (One Channel)

For D/A Converteres

Highlights

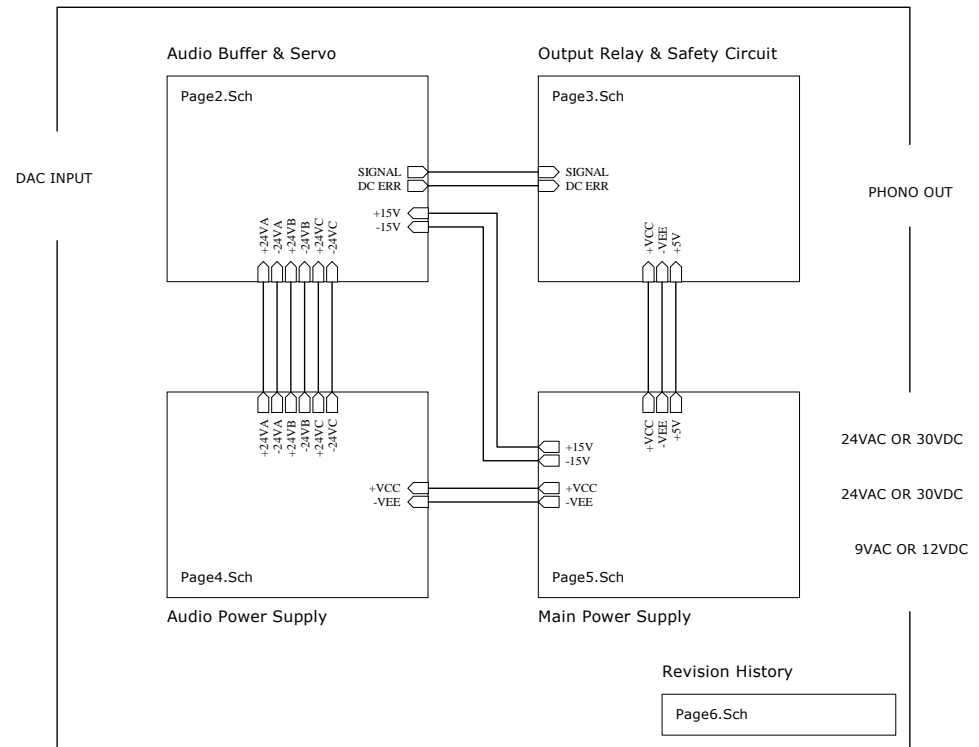
- None Global Feedbacks
- 3 Stage Transistor Design
- DC Coupled Input & Output
- DC Servo
- 11 Regulated Power Supplies
- Electronic Safety Circuit

Technical Specifications

- Gain: +10dB
- Maximum Output: 7Vrms
- Input impedance: 1Mohm
- Output Impedance: 50ohm
- Frequency Response: 0.025Hz-5.0MHz @6dB
- Signal to Noise Ratio: 132dB
- THD+N: 0.020%

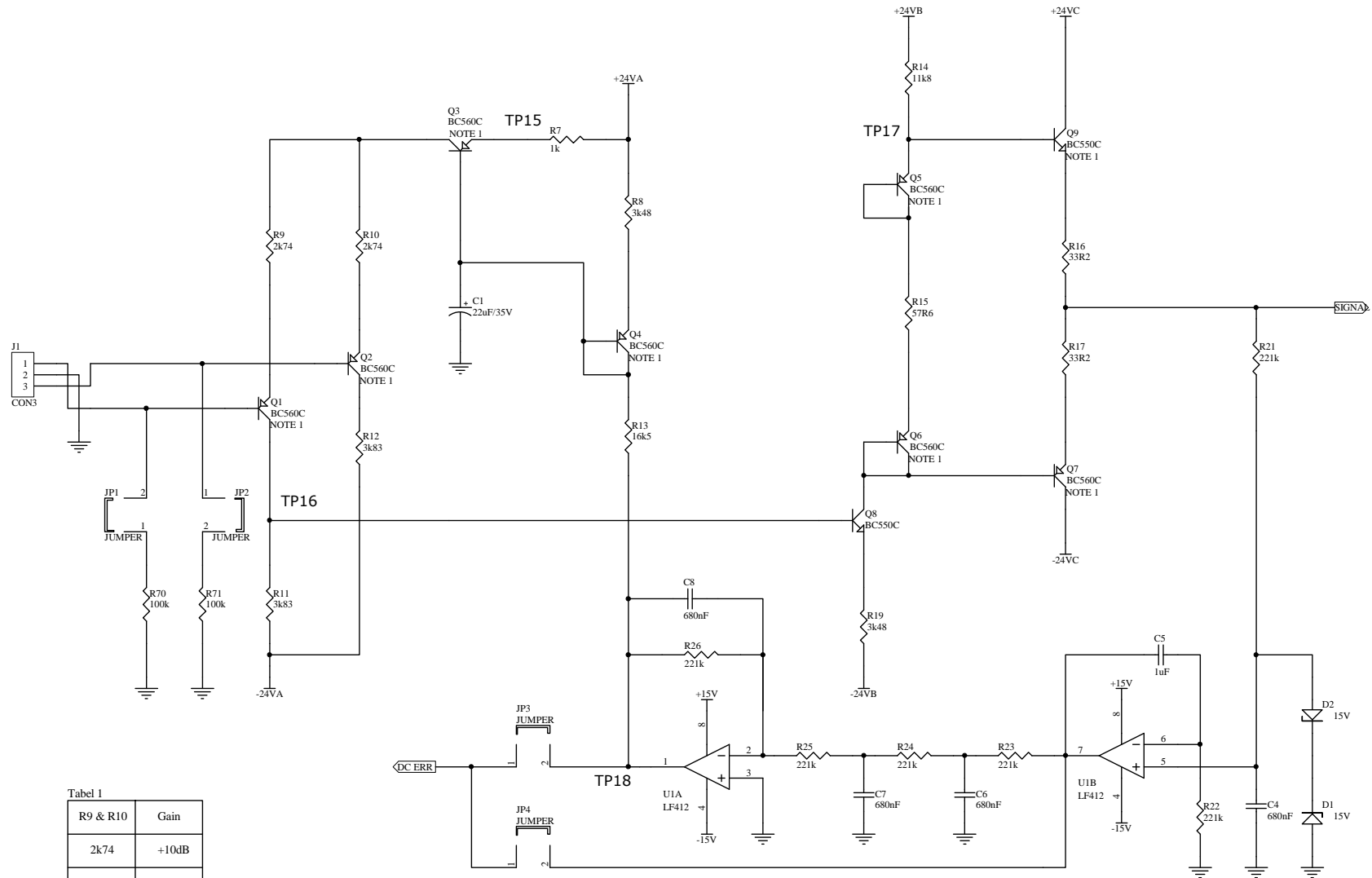
User Options

- Adjustable Gain (See Table 1)
- AC or DC Power Supply Compatible
- Compatible with Voltage Out D/A Converters
- Visit <http://www.diyhifi.dk/> for more User Options and Guides



www.diyhifi.dk

Audio Buffer & Servo



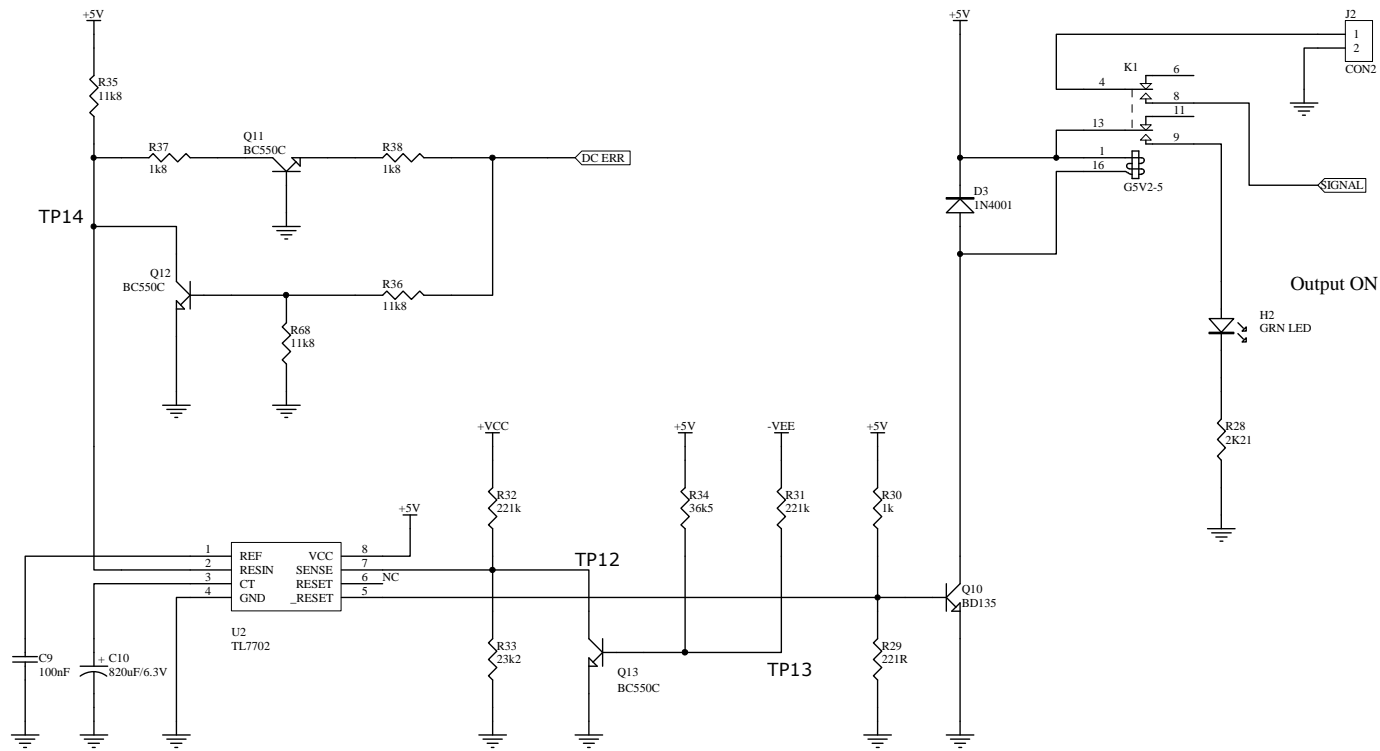
Tabel 1

R9 & R10	Gain
2k74	+10dB
TBD	+6dB
TBD	+3dB
TBD	0dB

NOTE 1: Mechanical coupled pairs; Q1>Q2, Q3>Q4, Q5>Q9, Q6>Q7.

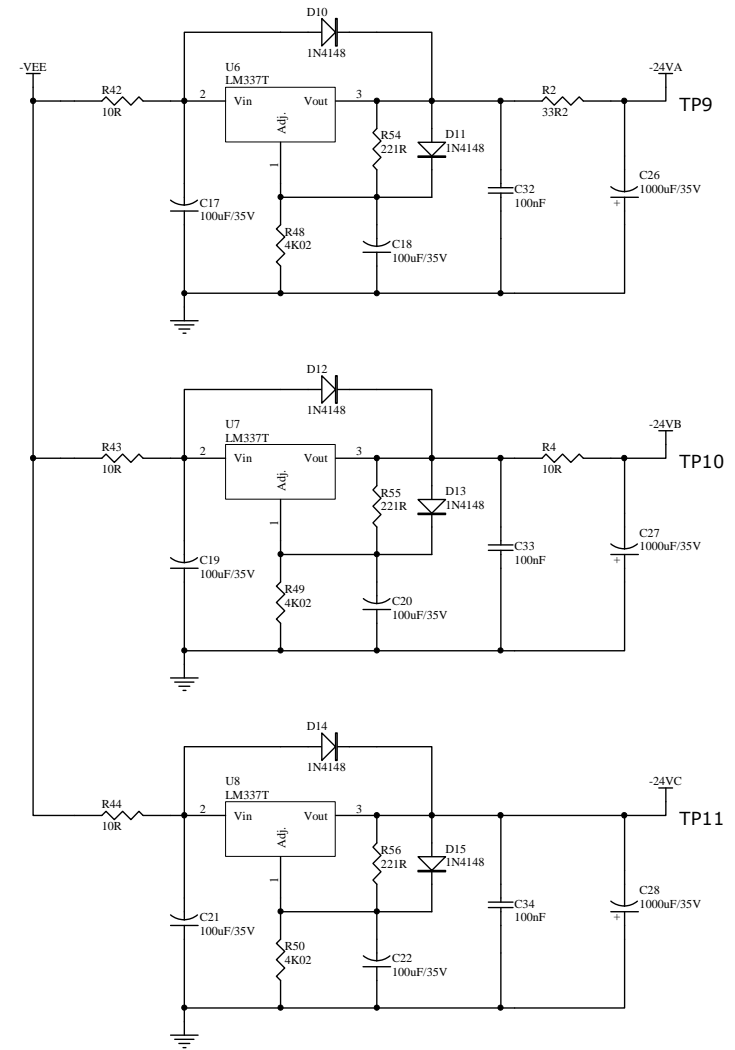
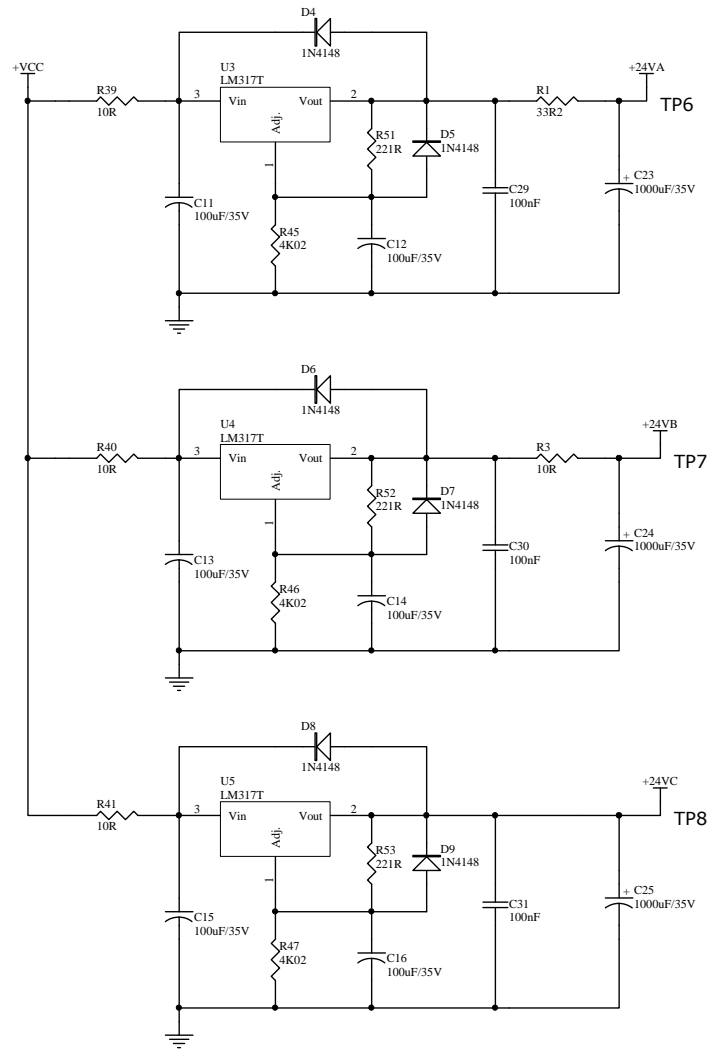
www.diyhifi.dk

Output Relay & Voltage Monitor



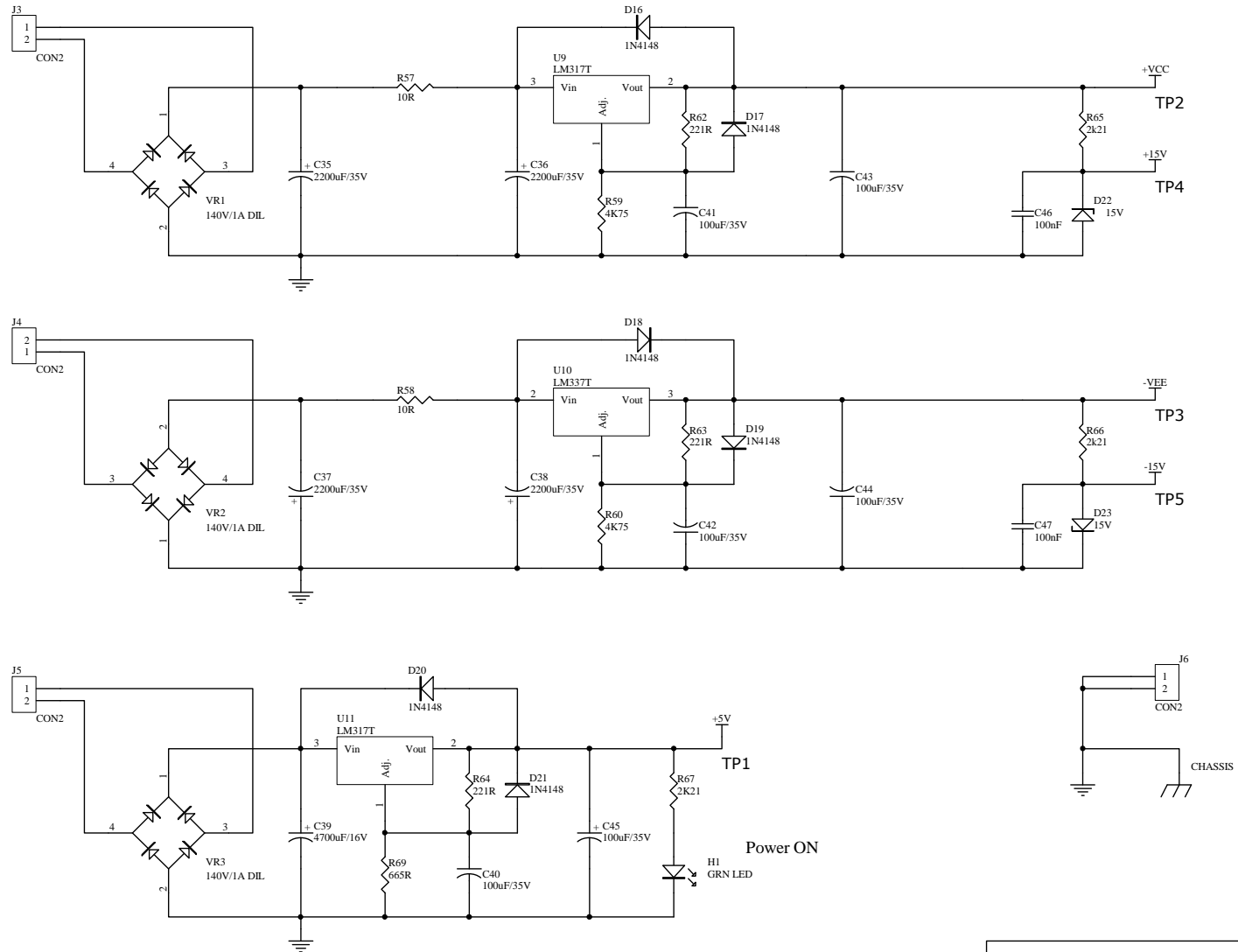
www.diyhifi.dk

Audio Power Supply



www.diyhifi.dk

Main Power Supply



www.diyhifi.dk

Revision History

A - Initial Release on <http://www.diyhifi.dk/>

www.diyhifi.dk